



Project:
Item:
Quantity:

COMBIVAC BOXER 52 II
VACUUM PACKAGING MACHINE



- FEATURES**
- Seal bar length: 2x16"
 - Seal bars with two wires, for double security
 - Seal bars easily removable for cleaning and maintenance purposes
 - Pump capacity: 889 cf/h (25 m³/h) Busch vacuum pump
 - Pump maintenance and cleaning program
 - Machine cycle: 20-40 sec
 - **Standard Advanced Control System (ACS)** with Sensor control: max. 99.8%, for an optimum and consistent vacuum and cycle time
 - Soft Air to protect the product and vacuum pouch
 - 20 program memory (ACS)
 - Transparent lid, which opens automatically after every cycle
 - Deep drawn vacuum chamber
 - Comes with insert plates for a faster cycle and product adjustment
 - Stainless steel exterior
 - 6ft cord with Nema 5-20P plug

DESCRIPTION
The robust, stainless steel Boxer 52 II vacuum packer is standard equipped with a Busch vacuum pump. This Combivac machine is ETL listed and complies with UL, CSA and CE standards.

- OPTIONS AND ACCESSORIES**
- Cut-off seal (\$0)
 - Wide seal (\$0)
 - Inclined insert plate
 - Food container adaptor
 - Liquid Control



WARRANTY
Henkelman Inc offers a warranty of 1 year on labor and 3 years on parts. For full warranty details, please refer to www.henkelman.com.

DATE **APPROVAL**

ORIGINAL
HENKELMAN
VACUUM SYSTEMS

FIT FOR FOOD SERVICE
WWW.HENKELMAN.COM

HENKELMAN INC. **Sales and technical support**
493 W Fullerton Ave P +1 331 979 2013
Elmhurst IL, 60126 F +1 630 359 3875
E info@henkelmanusa.com
Service and warranty
P +1 844 208 5685

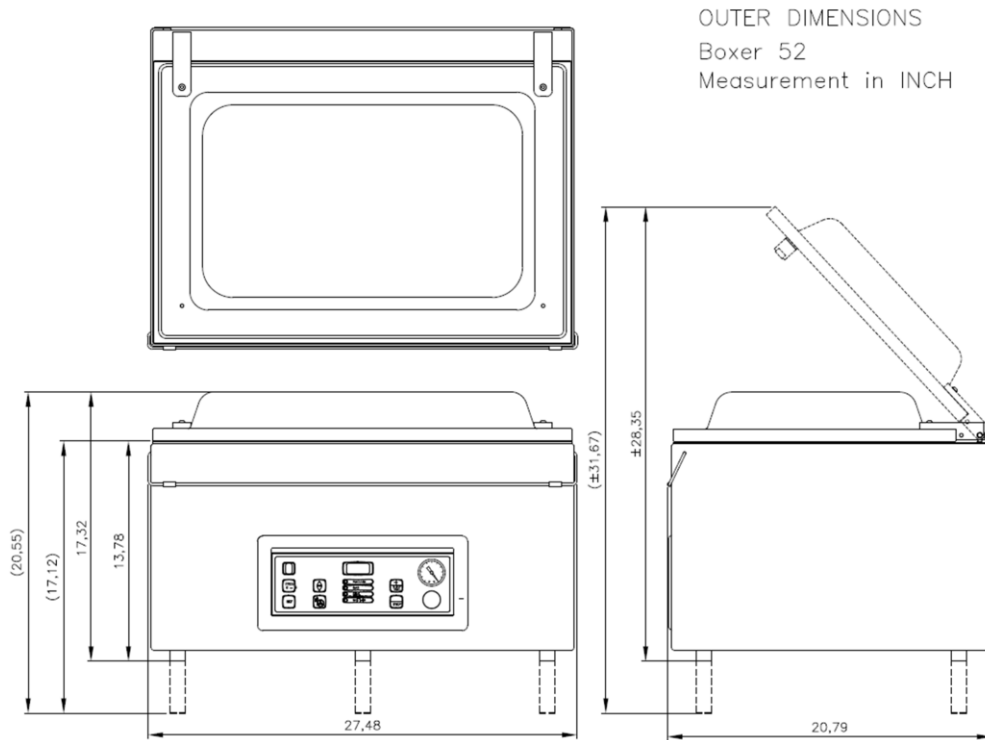
VACUUM PACKAGING MACHINE BOXER 52 II - SPEC SHEET

VACUUM PACKING MACHINE BOXER 52 II – SPECS

VACUUM PACKING MACHINE BOXER 52 II – SPEC SHEET

DIMENSIONS

In inches



Model	Dimensions (inches)		Volts	Amps	Hz	Pump capacity	HP	Plug	Weight (lbs)
	Chamber (usable space) LxWxH	Machine LxWxH							
Boxer 52II Combivac	16"x20.5"x7"	20.8"x27.5"x17.3"	110-120V	16	60Hz	889 cf/h (25 m ³ /h)	1.34	NEMA 5-20P	179

NEMA 5-20P



20 A/125 V



FIT FOR FOOD SERVICE
WWW.HENKELMAN.COM

HENKELMAN INC.
493 W Fullerton Ave
Elmhurst IL, 60126

Sales and technical support
P +1 331 979 2013
F +1 630 359 3875
E info@henkelmanusa.com
Service and warranty
P +1 844 208 5685