

Project:

Item:

Quantity:

POLAR 2-50
DOUBLE CHAMBER
VACUUM SEALER



FEATURES

- Seal bar length: 2 x 24.4"
- Standard double seal (seal bars with two wires, for double security)
- Seal bar system mounted in lid
- Pump capacity: 4,237 cf/h (120 m³/h) Busch vacuum pump
- Pump maintenance and cleaning program
- Machine cycle: 15-40 sec
- Standard with Combivac control, a sensor and a 20 program memory
- Compatible with label printer
- Standard equipped with Gas flush
- Soft Air to protect product and vacuum bag
- Stainless steel lid and flat working plate
- Comes with a service kit and insert plates
- 12ft cord with NEMA L15-30P plug
- IP65 classification

DESCRIPTION

The robust, stainless steel Polar 2-50 double chamber vacuum packaging machine is standard equipped with a Busch vacuum pump. This industrial model is ETL listed and complies with UL, CSA and CE standards.



OPTIONS

- Cut-off seal/Wide seal (\$0)
- 1-2 Cut-off seal/Bi-active seal
- Liquid Control
- Extra seal capacity
- Preparation for external pump

ACCESSORIES

- Filler plate for lid
- Inclined insert plate
- Label printer (icw CombiVac control)

WARRANTY

Henkelman Inc offers a warranty of 1 year on labor and 3 years on parts. For full warranty details, please refer to <https://www.storabis.org>.

DATE

APPROVAL



Storabis is a Henkelman brand

Henkelman Inc
493 W Fullerton Ave
Elmhurst IL, 60126
<https://www.storabis.org>

Sales support

P +1 331 979 2013
E info@henkelmanusa.com

Service and warranty (Heritage Parts)

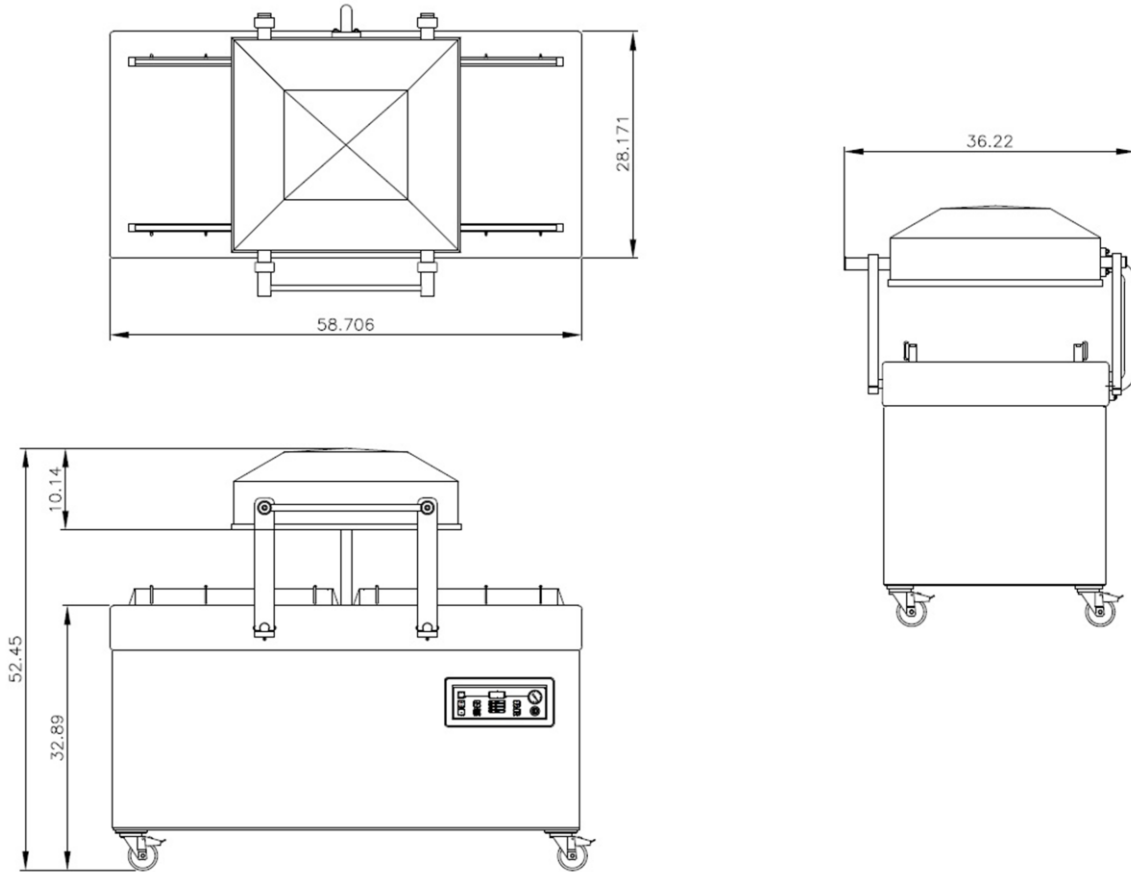
Warranty: 1-866-811-0035
Parts: 1-800-458-5593
Technical support: 1-877-592-3229

VACUUM SEALER POLAR 2-50 SPECS

VACUUM SEALER POLAR 2-50 – SPEC SHEET

DIMENSIONS

In inches



Model	Dimensions (inches)		Volts	Amps	Hz	Pump capacity	HP	Plug	Weight (lbs)
	Chamber L x W x H (usable space in inch)	Machine L x W x H (in inch)							
Polar 2-50	19.6" x 24.4" x 9.4"	36.2" x 58.7" x 43"	208V	24/ 24C*	60 Hz	4,237 cf/h (120 m ³ /h)	4.6	NEMA L15-30P	761



L15-30P

3 pole, 4 wire grounding 3 x 208 Volt

*This is the minimum fuse value with the recommended characteristic



Storabis is a Henkelman brand

Henkelman Inc
493 W Fullerton Ave
Elmhurst IL, 60126
www.storabis.org

Sales support

P +1 331 979 2013

E info@henkelmanusa.com

Service and warranty (Heritage Parts)

Warranty: 1-866-811-0035

Parts: 1-800-458-5593

Technical support: 1-877-592-3229

STORABIS BY HENKELMAN INC