



Project:
Item:
Quantity:

**COMBIVAC MARLIN 52II
CHAMBER VACUUM SEALER**



FEATURES

- Seal bar length: 2x20.5"
- Seal bars with two wires, for double security
- Seal bars easily removable for cleaning and maintenance purposes
- Pump capacity: 2,780 cf/h (75 m³/h) Busch vacuum pump
- Pump maintenance and cleaning program
- Machine cycle: 20-40 sec
- **Standard CombiVac control system** with 20 program memory and Sensor control: max. 99.8%, for an optimum and consistent vacuum and cycle time
- Soft Air to protect the product and vacuum pouch
- Transparent lid, which opens automatically after every cycle
- Deep drawn vacuum chamber
- Comes with insert plates for a faster cycle and product adjustment
- Stainless steel exterior
- 12ft cord with NEMA 6-30P plug
- Standard with service kit

DESCRIPTION

The robust, stainless steel Marlin 52II vacuum sealer is standard equipped with a Busch vacuum pump. This CombiVac floor model is ETL listed and complies with UL, CSA and CE standards.

OPTIONS AND ACCESSORIES

- Liquid control
- Inclined insert plate
- Cut-off/Wide seal (\$0)
- Label printer
- Food container adaptor



WARRANTY

Henkelman Inc offers a warranty of 1 year on labor and 3 years on parts. For full warranty details, please refer to www.henkelman.com.

DATE

APPROVAL

ORIGINAL HENKELMAN VACUUM SYSTEMS
FIT FOR FOOD SERVICE
<https://www.henkelman.com/us>

HENKELMAN INC.
493 W Fullerton Ave
Elmhurst IL, 60126
Sales and technical support
P +1 331 979 2013
F +1 630 359 3875
E info@henkelmanusa.com
Service and warranty
P +1 844 208 5685

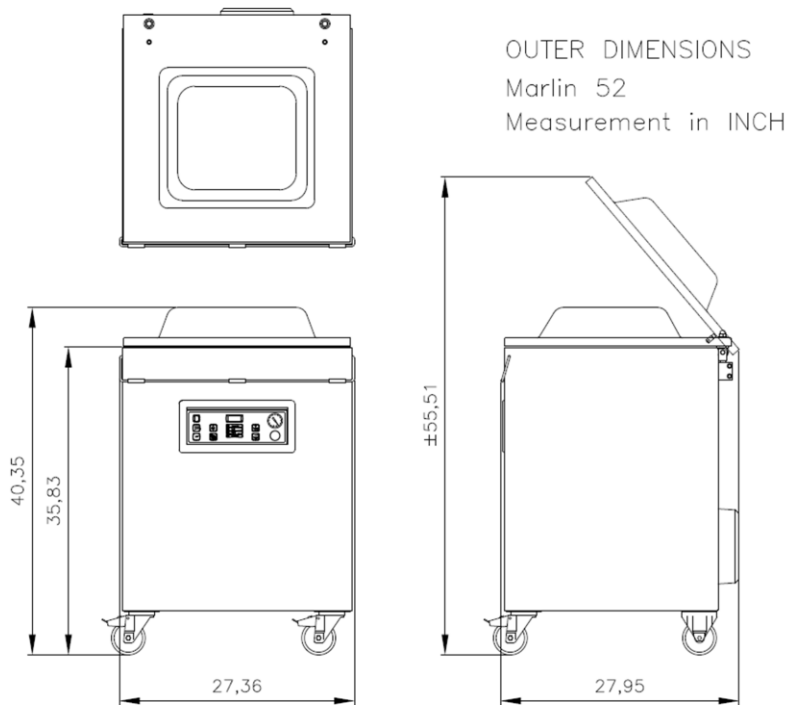
COMBIVAC VACUUM SEALER MARLIN 52II - SPEC SHEET

COMBIVAC VACUUM SEALER MARLIN 52II – SPECS

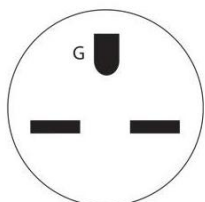
COMBIVAC VACUUM SEALER MARLIN 52II – SPEC SHEET

DIMENSIONS

In inches



Model	Dimensions (inches)		Volts	Amps	Hz	Pump capacity	HP	Plug	Weight (lbs)
	Chamber (usable space) LxWxH	Machine LxWxH							
Marlin 52II CombiVac	20.5"x19.7"x7.9"	28"x27.4"x40.4"	220-1-60 Hz	21/21 C	60Hz	2,780 cf/h (75 m ³ /h)	2.8	NEMA 6-30P	364



Nema 6-30

Single phase 220 Volt / 2 pole, 3 wire grounding.

*This is the minimum fuse value with the recommended characteristic



FIT FOR FOOD SERVICE

<https://www.henkelman.com/us>

HENKELMAN INC.
493 W Fullerton Ave
Elmhurst IL, 60126

Sales and technical support

P +1 331 979 2013

F +1 630 359 3875

E info@henkelmanusa.com

Service and warranty

P +1 844 208 5685